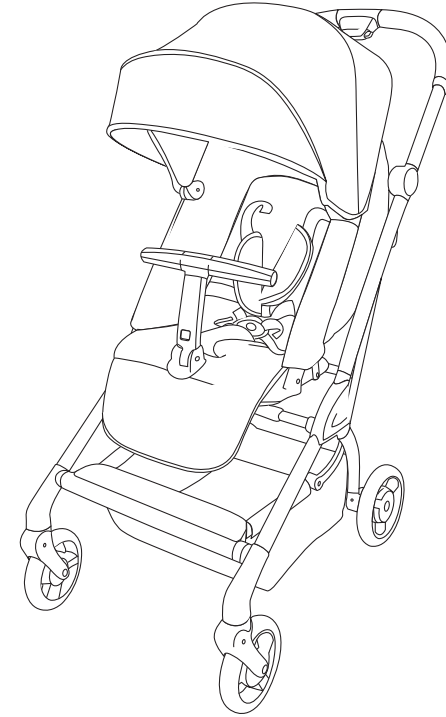




تصميم فرنسي

لايف

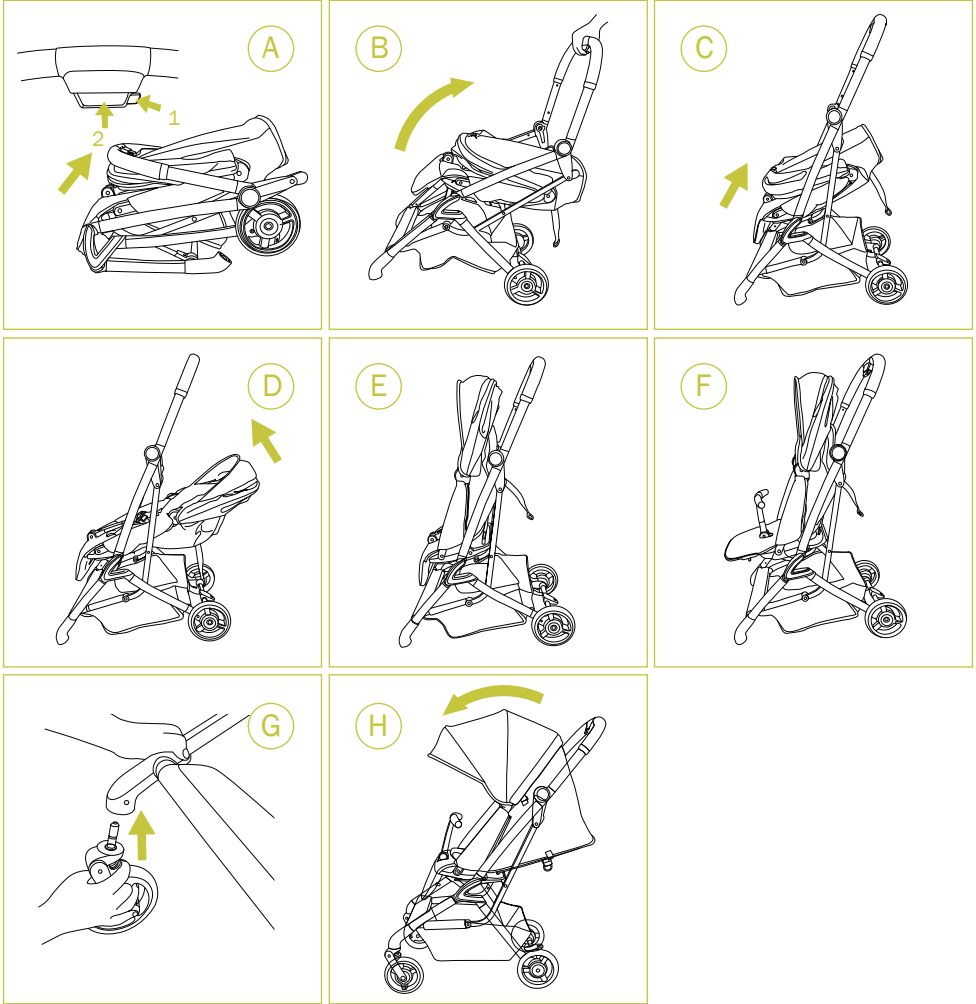
عربة الأطفال
دليل المستخدم



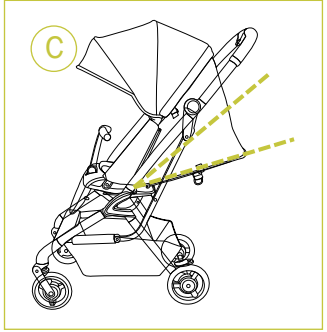
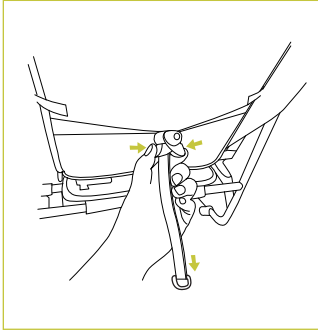
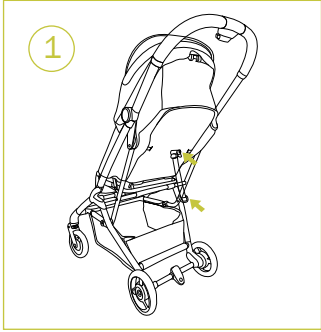
www.jikelbaby.com

ها م
اقرأ الدليل بإمعان واحتفظ به للرجوع إليه في المستقبل.

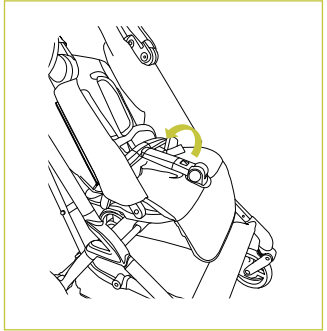
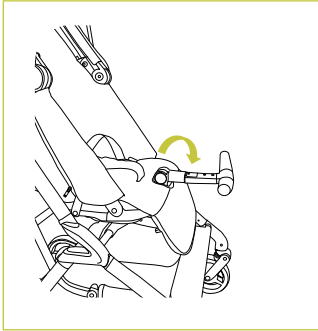
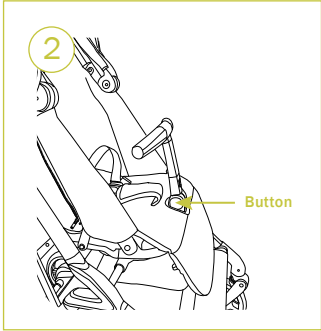




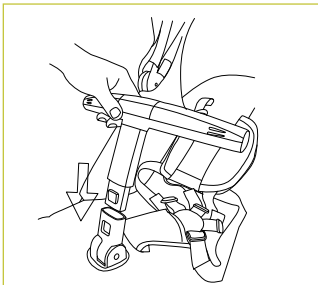
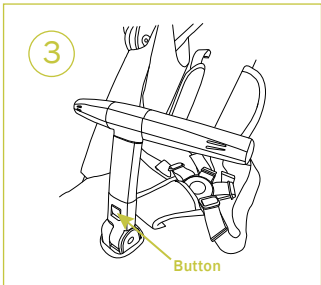
افتح الإطار: انظر إلى الصورة A. أمسك المقبض بيد واحدة. اضغط على الزر 1، وفي نفس الوقت، اضغط على الزر 2. اسحب العربة إلى الأعلى حتى تنفتح بالكامل. انظر إلى الصورة B و C و D. ارفع المظلة من جديد - كما في الصورة E - إلى الخلف والأعلى. ثم قم بتثبيت المصد - كما في الصورة F - حتى يزداد طول الإطار. ركب العجلة الأمامية: انظر إلى الصورة G. أدخل العجلة الأمامية في الثقب البلاستيكي للعجلة الأمامية حتى تسمع صوت نقرة. ثم قم بتركيب وإحكام العجلة الأمامية. انظر إلى الصورة H. عندما اتخذت المظلة الوضعية المفتوحة، فإن المنصة تكون قد رُكِّبت.



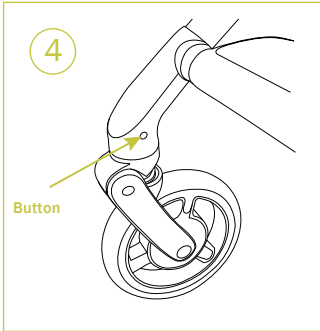
1.



.2

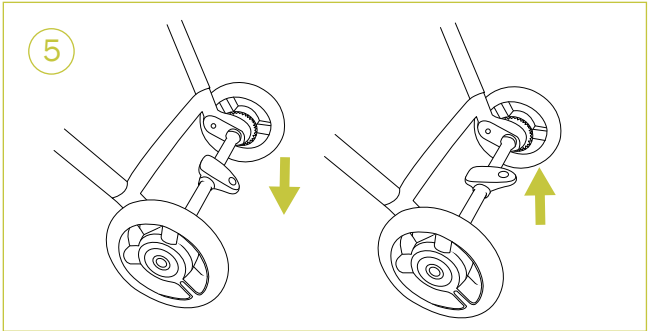


.3



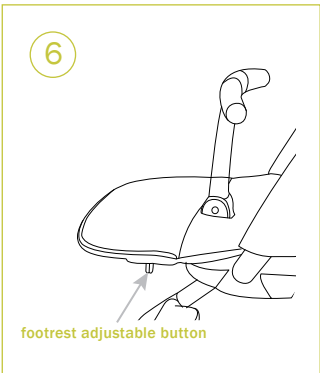
4. Detach front wheel

Press down the button in side and pull out, the front wheel can detach.



5. Use brake

To brake: push the wheel brake lever down when sound of click heard, stroller is locked: To release: lift the rear brake lever up, when sound of click heard, stroller can be used.



6. Footrest

To adjust the frontrest level: pull out the button on the both sides to lower down.

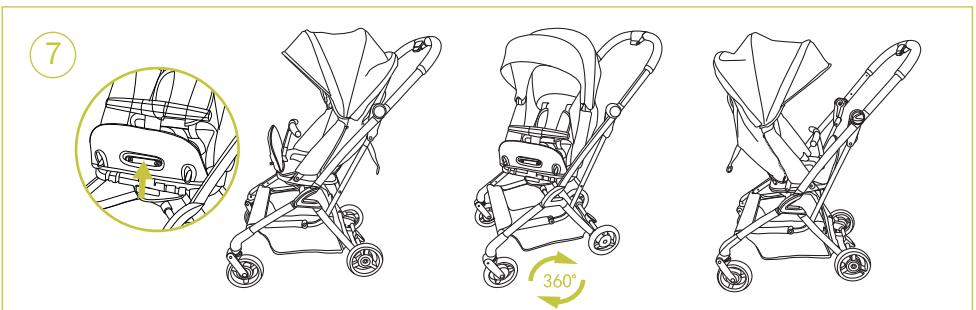
To adjust it to higher position, only need to lift up the footrest.

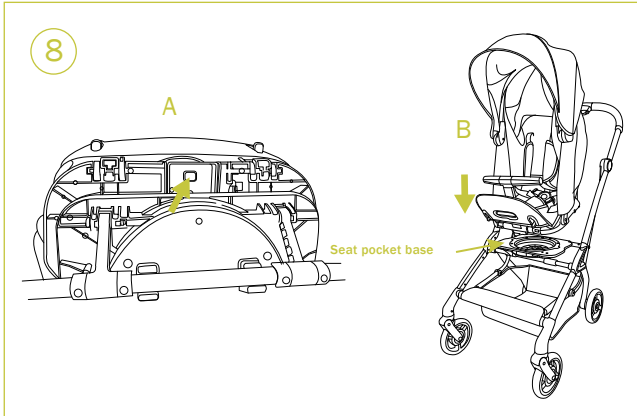
7. Adjust the seat

First adjust backrest to sitting sate, lift up the footrest then pull up adjustable button under seat, can adjust different direction of seat. This seat can be adjust at any degree, you can adjust to any direction when use.

Remarks: 1. seat turn 180 degree, when normal or reversible direction can be fixed.

2. only can be adjustable when use adjustable button, the other degree can be adjusted but not fixed.

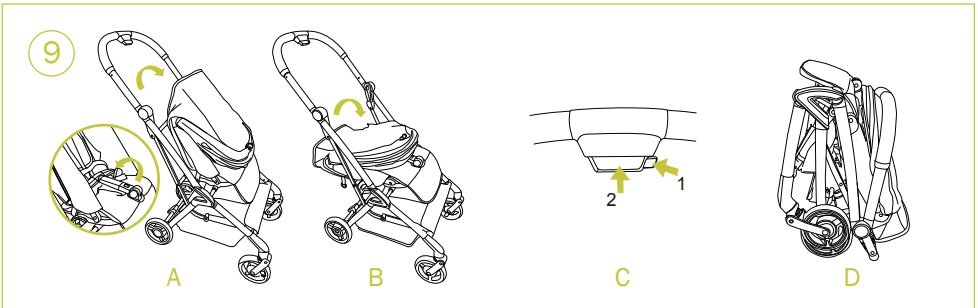




8. Seat detach and assemble

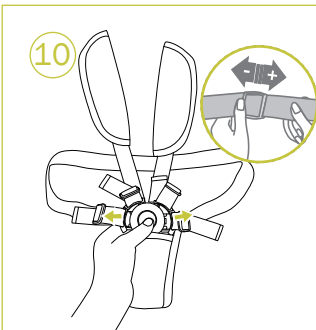
See A, press the button below the seat pocket base and pull the hand outward at the same time to loosen the seat, remove the seat.

Align the seat with the seat base and insert it. After hearing the click sound, seat can be installed.



9. Folding

See A, first fold the bumper bar and fold the canopy, press the canopy as shown in B press button on the handle, first press button 1 and press button 2 in the meantime, press forward and down the handles until the stroller locked automatically and stand by itself.



10. Safety belt

Securing the seat belt: attach the inserts of the shoulder belt to the buckle until you hear the “click” sound to make sure it is secured.

Releasing the seat belt: press down the button on the buckle, using the other hand to put both side of the inserts.

Attention: must use safety belt correctly.

WARNING!

Please follow these instructions carefully before using the pushchair at the first time, this will guarantee safe usage of the product and enable you to find out about all its handy features.

- 1. Never leave your child unattended.*
- 2. Never lift the pushchair with the child inside it.*
- 3. Never adjust the stroller while your baby inside it*
- 4. Ensure that all the locking devices are engaged before use.*
- 5. To avoid injury ensure that your child is kept away when unfolding and folding this product.*
- 6. Do not let your child play with this product.*
- 7. Always use the restraint system. Rings for attaching an extra harness are on each side beside the seat belt.*
- 8. This product is not suitable for running or skating or any other sport activities.*
- 9. Not suitable for over night sleeping, your child may be at risk of serious harm or injury.*
- 10. Any load attached to the handle, backrest or sides affects the stability of the pram/pushchair.*
- 11. To avoid the risk of suffocation, keep all plastic bags and packaging out of reach of babies and young children.*
- 12. Never use stairs or escalators with your child in the pushchair.*
- 13. Always check that the brake is fully engaged before letting go of your stroller.*
- 14. Never let your child climb into or out of the stroller alone.*
- 15. Keep away from fire!*
- 16. Check that the pram boby or seat unit or car seat attachment devices are correctly engaged before use.*
- 17. This stroller is intended for children from 0 months to 48 months.*
- 18. This stroller is NOT suitable for children under 6months when use seat mode.*
- 19. Maximum permitted weight for the stroller 22kg. Maximum permitted weight for the storage pocket 3kg.*

III. USE WARNING

Regularly check screws, rivets, bolts & fastenings to ensure they are locked tight and secure.

Be careful not to let the child climb out of the guardrail or stand on the seat. Do not use the stroller in dangerous areas such as high and low ground, near the stove.

Avoid use or storage in a wet, cold, or high temperature environment, away from a fire or a source of fire.

Strong heat source.

Follow the manufacturer's instructions at all times.

That any load attached to the handle and/or on the back of the backrest and/or on the sides of the vehicle will affect the stability of the vehicle. That the vehicle shall be used only for one child for which it has been designed.

That accessories which are not approved by the manufacturer shall not be used

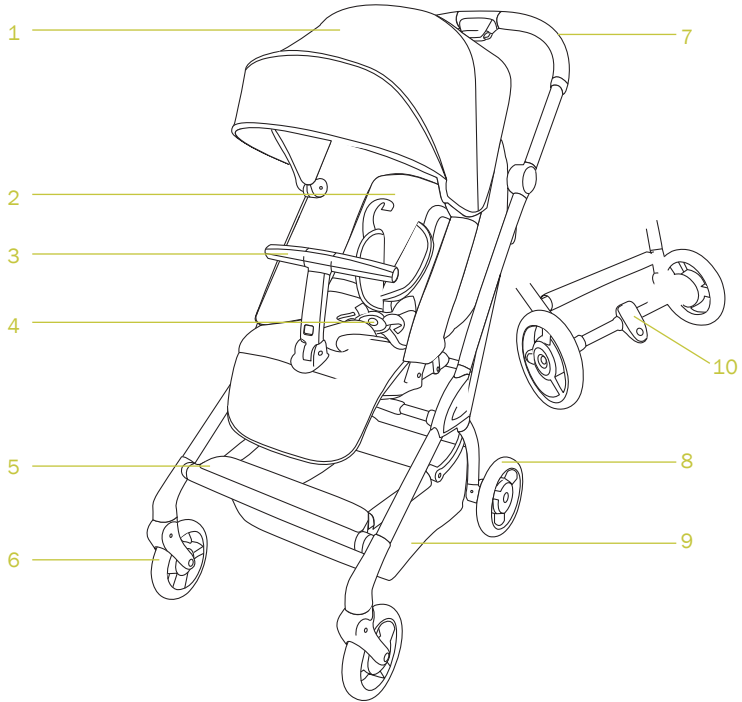
IV. MAINTENANCE

To avoid risk of injury to your child, please check and maintain the stroller periodically.

Clean the fabric: use the brush or other clean tools, other parts: use the home-usage soap or lotion.

Check whether there are loosen screws, damaged parts or crack in cloth, if necessary, replace the bad ones, Do the rehabilitate restrictly according to the instructio

Parts list



- 1. Canopy
- 2. Seat
- 3. Bumper Bar
- 4. Safety Buckle
- 5. Pedal

- 6. Front Wheels
- 7. Handle
- 8. Rear Wheels
- 9. Basket
- 10. Brake Lever